

Lichtlauf

Lichtenfest
en

product description

Design Christoph Matthias 2005

3 layers of sheet metal, formed to a volume.
A multiple reflexion causes an intense color impression of each material.
Concentrated, effectual downlight, a soft glow into the room.

light source: max. 230W, E27

diameter ca. 60 cm, 80 cm und 100 cm

Types

Gold: Aluminium sheet, gold leaf plated
Gold: Aluminium sheet covered with composition gold
Copper: Aluminium sheet, copper leaf plated
Colour: Aluminium sheet, white or coloured matt coated

Each lamp is handcrafted and has its unique shape.
Due to the manual production process there might occure surface
irragularities.
This is not a reason for a complaint.

enclosed

1 Lichtenfest

1 canopy

1 Ceiling mounting with wire rope

1 bulb (205 W, E27, halogen lamp)

1 terminal

technical data

230V/125 V, max. 230 W, E27



Type:
Indoor light IP20

This luminaire is suitable for illuminants of
the energy classes: E - A++

safety note

Follow always the hints of this instruction for a safe assembly and use of these lights. Keep the assembly instruction for further questions.

The assembly and the electric supply must be done by an electric professional. Local installation regulations have to be respected.

The manufacturer accepts no liability for any damage due to improper use of the luminaire.

Attention! Before working on the luminaire disconnect it from the mains. Also for cleaning, maintenance and lamp change.

Luminaires are only allowed to be used for the specified purpose. Interior lights may not be used in outside area. Luminaires may not be covered.

They may not be connected to power supply still they are packaged.

Lights with electronic control gears (ECG) have to be operated with original ECGs.

The lamp change must be done by a competent professional.

Use only lamps with same type of construction, performance and voltage.

In case of damages, in particular of cable and socket, the luminaire have to be shut off immediately. In case of damage on the mains cable it has to be changed by the Lichtlauf GmbH.

For malfunction call authorized personnel for troubleshooting.

Never repair it by yourself.

Through improper repair work may arise risk for the user.

Elements of plug and connection shall be free from traction and torque.

care instructions

Disconnect the device from the power supply grid before cleaning.

The care of the lamp is limited to the surfaces.

Make sure no liquid reaches the connection area or electrical components.

Important:
Please don't use spiritus or alcohol containing products.
As well as no abrasives or abrasive containing detergents.

It is sufficient to clean the surface using a soft, dry cloth.

Do not use pressure while cleaning, otherwise you might cause damage on the gilded surface.

special notes

Keep plastic bags and small components away from children to avoid risks of suffocation or swallowing!

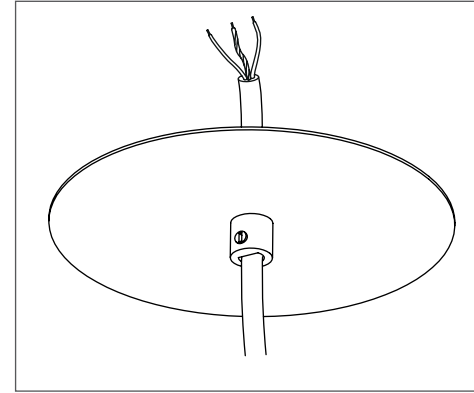
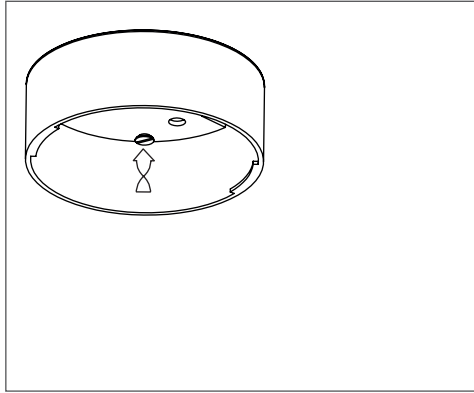
Do not look directly into the light source!
(risk of glare or eye damage)

Caution: Risk of injury due to sharp corners.

assembly

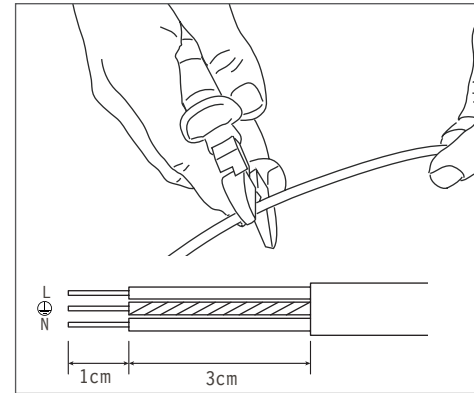
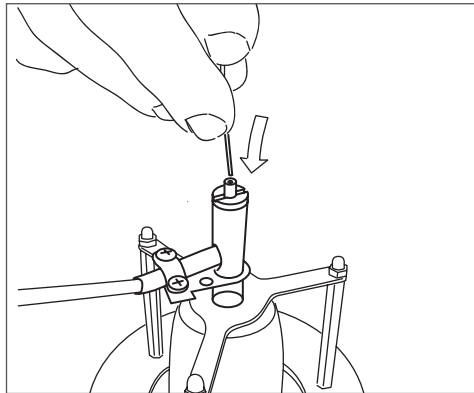
Attach the canopy to the ceiling or to flush-mounted connection box.
Ascertain the exact position of all electrical wiring to avoid drilling into a cable.
Do not attach the lamp either to a damp or conductive ceiling.

Take care of listed cautions while mounting the rope suspension to the ceiling as well.
Mount the suspension nearby the canopy.



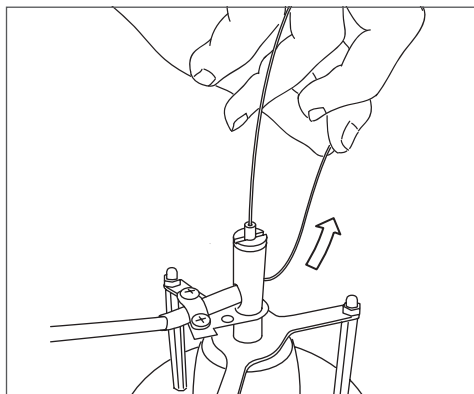
Thread the lamp cord in the cover of the canopy as illustrated alongside.

Thread the rope into the holder and adjust the height of the lamp.
If you push the small tube on the holder the rope will come loose.
Therefore you have to hold the lamp.

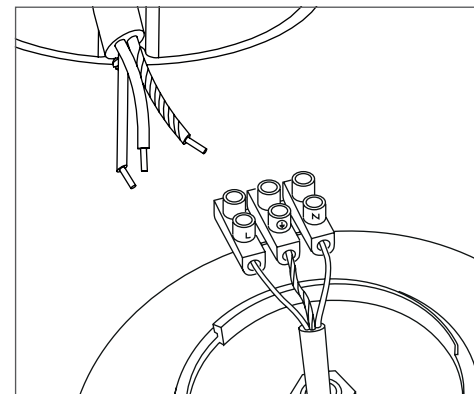


Shorten the lamp cord if necessary. It should hang down from the ceiling softly but must not touch the socket.

If the desired height is adjusted, shorten the rope in a length of ca. 3 cm.
You might rollup the overcoming cable as well.
Fasten it with a zip tie.
In this case you have the possibility to change the height later again.

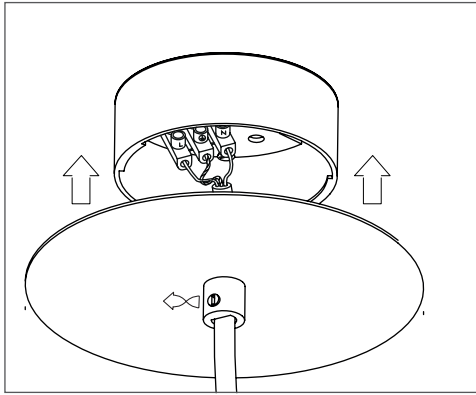


Caution: Make sure the overlapping cable does not reach into the socket!

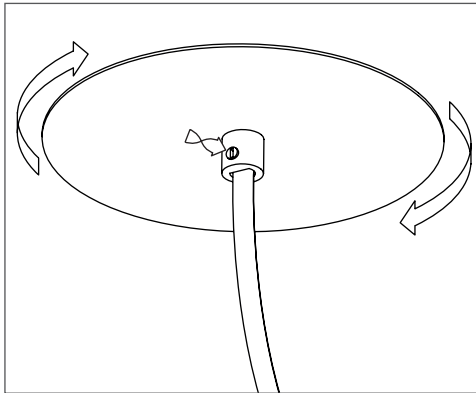


phase is the inner core with a brown print (L)
neutral is the inner core with a blue print (N)
protection earth is the inner core with a yellow green mark (PE)

Connect phase, neutral and protection earth wire on the lustre terminal.
Take notice of the right connection of L;N and PE!



Put the lustre terminal into the canopy.
Close the canopy while turning the cover
clockwise.
Secure the lamp cord with the setscrew as
illustrated in the figure alongside



Lichtlauf GmbH

Sonnentaustraße 12
80995 München

T +49(0)89.30905274-0
F +49(0)89.30905274-9

info@lichtlauf.de
www.lichtlauf.de