

Lichtlauf

eNormaJeane
en

product description

Design Christoph Matthias and Veit Redl 2015

Aluminium, composite gold and colour coated.

A pendant lamp like a cloth in the upwind.

Powerful, soft light downwards.

Each luminaire is individually shaped.

light sources: 2 oder 3 x LED approx. 12 W, light colour warm white

dimensions: approx. 125 x 30 x 12 cm (2 LEDs) or approx. 160 x 40 x 12 cm (3 LEDs)

Each lamp is handcrafted and has its unique shape.

Due to the manual production process there might occur surface irregularities.

This is not a reason for a complaint.

enclosed

1 eNormaJeane

1 canopy with LED control gear

1 adjusting ring per lamp cable

2 ferrules per lamp cable

2 shrinking tube sections per lamp cable

technical data

230V ~ 50Hz

2 or 3 x 12W LED, max. 350mA



Art:

Indoor light

This luminaire contains built-in LED lamps.

Energy classes: A - A++

The lamp can only be replaced by the manufacturer.

safety note

Follow always the hints of this instruction for a safe assembly and use of these lights. Keep the assembly instruction for further questions.

The assembly and the electric supply must be done by an electric professional. Local installation regulations have to be respected. Take care not to drill into a cable, do not attach the lamp to a damp or conductive surface.

The manufacturer accepts no liability for any damage due to improper use of the luminaire.

Attention! Before working on the luminaire disconnect from the mains. Also for cleaning, maintenance and lamp change.

Luminaires are only allowed to be used for the specified purpose. Interior lights may not be used in outside area. Luminaires may not be covered with objects.

They may not be connected to power supply still they are packaged.

Lights with transformers or electronic control gears (ECR) have to be operated with original transformer or ECRs.

The lamp change must be done by a competent professional.

Use only lamp with same type of construction, performance and voltage.

In case of damages, in particular of cable and socket, the luminaire have to be shut off immediately. In case of damage on the mains cable it has to be changed by the Lichtlauf GmbH.

For malfunction call authorized personnel for troubleshooting. Never repair it by yourself.

Through improper repair work may arise risk for the user.

Elements of plug and connection shall be free from traction and torque.

care instructions

Disconnect the device from the power supply grid before cleaning.

The care of lighting is limited to the surfaces.

Make sure that no liquid can reach the connection area or electrical components.

Important:

Important:

Please do not use spiritus or alcohol containing products.

It is sufficient to clean the surface using a soft, dry cloth.

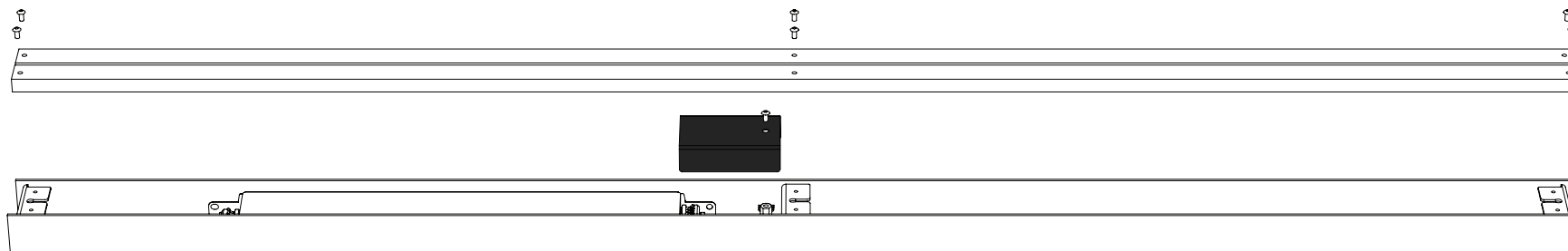
Do not use pressure while cleaning, otherwise you might cause damage on the gilded surface.

Special notes

Do not look directly into the light source. (risk of blinding)

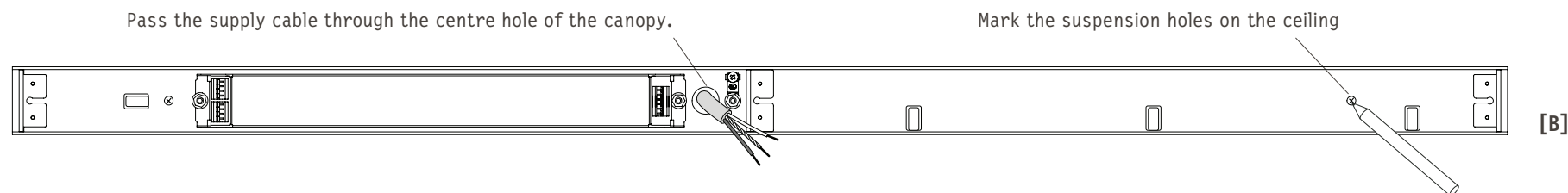
assembly

Before you start mounting and connecting the luminaire, make sure that the supply cable is disconnected from the mains!
Remove the fuse!



[A]

First loosen the screws on the two canopy covers and put them aside. Open the screw on the black cover as well [A]



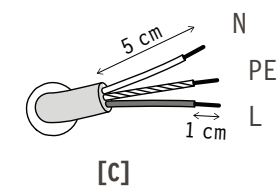
Pass the supply cable through the centre hole of the canopy.

Mark the suspension holes on the ceiling

[B]

Fasten the canopy with adequate fixing material.

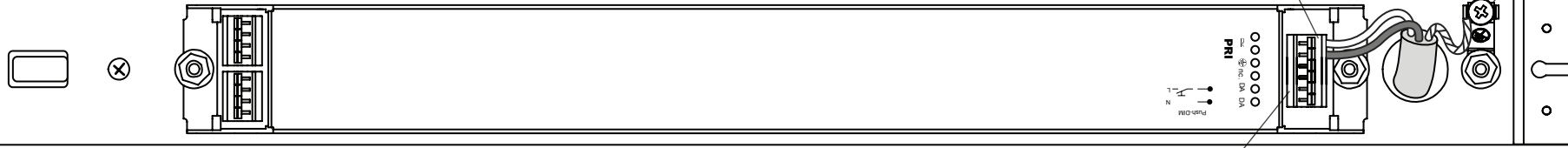
Now assemble the supply cable as described in figure [C]



[C]

Connect Phase (L) and Neutral (N) wire on the clamp.

Connect Protection earth (PE) on grounding terminal!

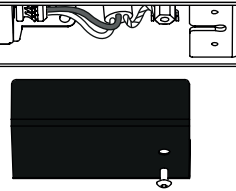


[D]

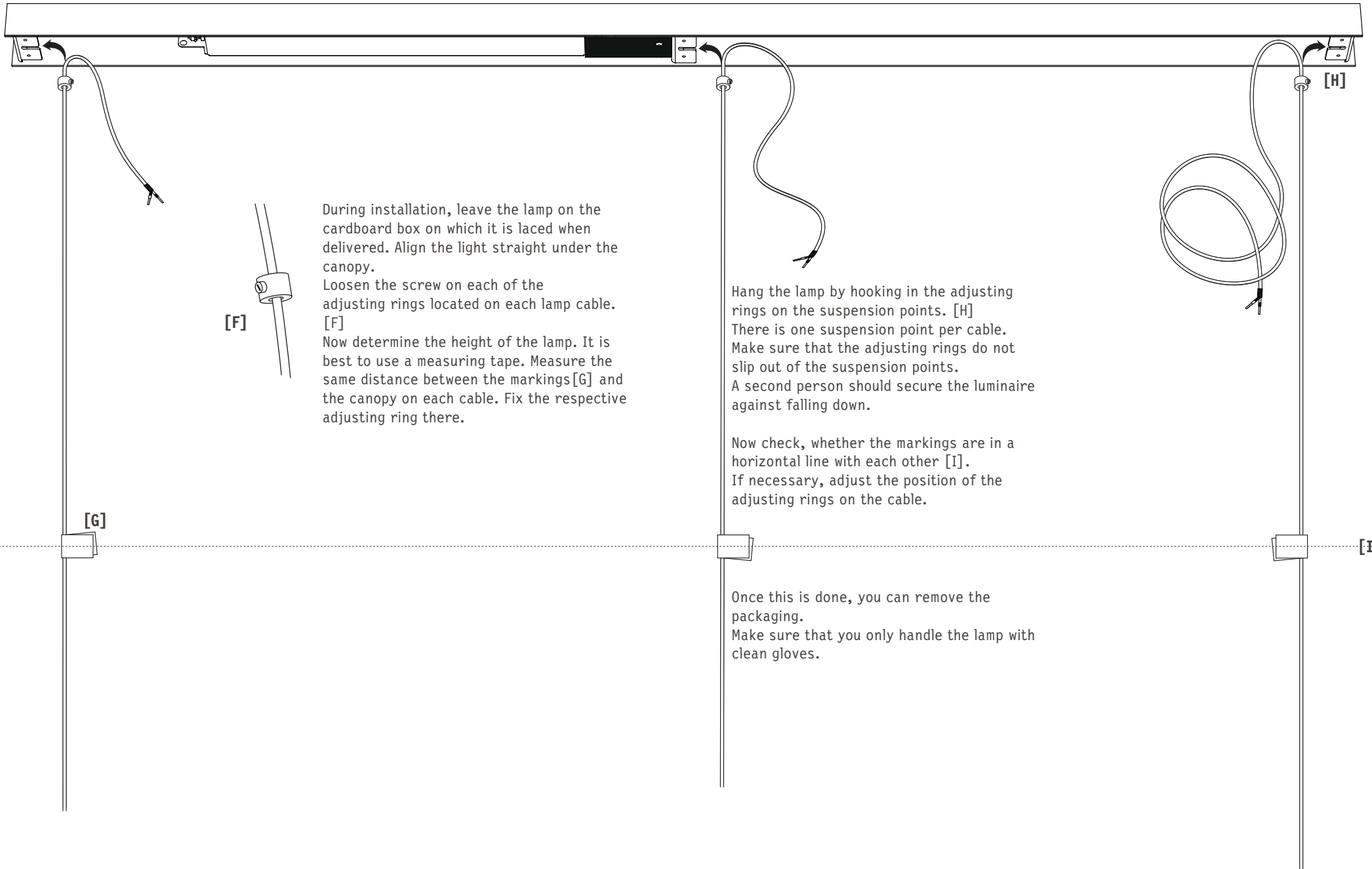
If you use control cables for dimming with 1-10 V or Dali, please connect them directly to the marked terminals on the control gear.

Make sure that the stripped wires are firmly seated in the terminals!

Close the connection area with the black cover after the connection has been made! [E]



[E]



During installation, leave the lamp on the cardboard box on which it is laced when delivered. Align the light straight under the canopy.

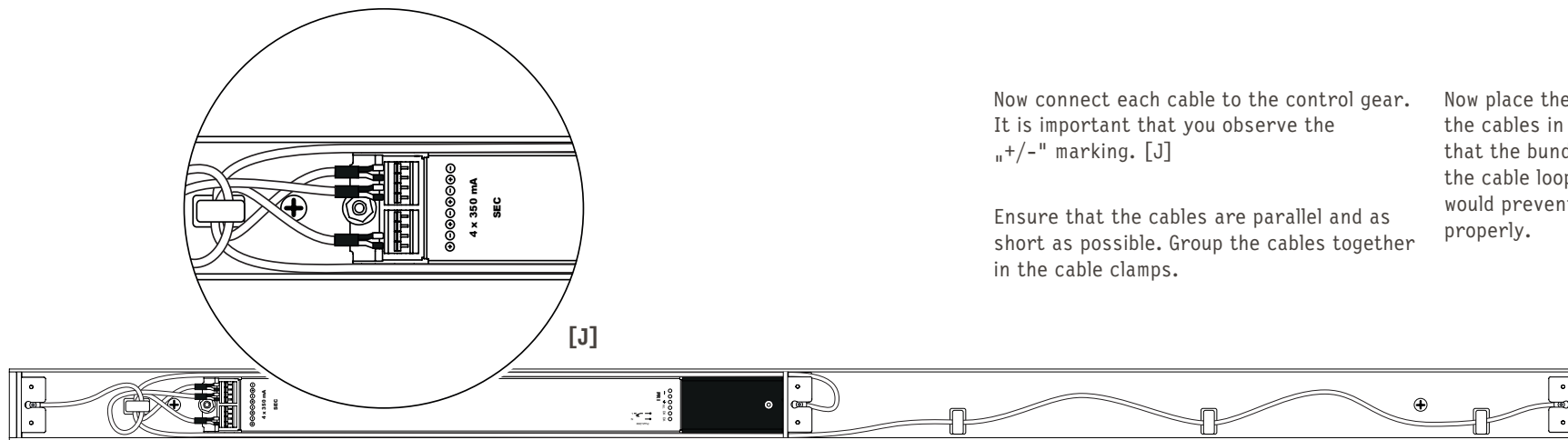
Loosen the screw on each of the adjusting rings located on each lamp cable. [F]

Now determine the height of the lamp. It is best to use a measuring tape. Measure the same distance between the markings [G] and the canopy on each cable. Fix the respective adjusting ring there.

Hang the lamp by hooking in the adjusting rings on the suspension points. [H]
There is one suspension point per cable. Make sure that the adjusting rings do not slip out of the suspension points. A second person should secure the luminaire against falling down.

Now check, whether the markings are in a horizontal line with each other [I]. If necessary, adjust the position of the adjusting rings on the cable.

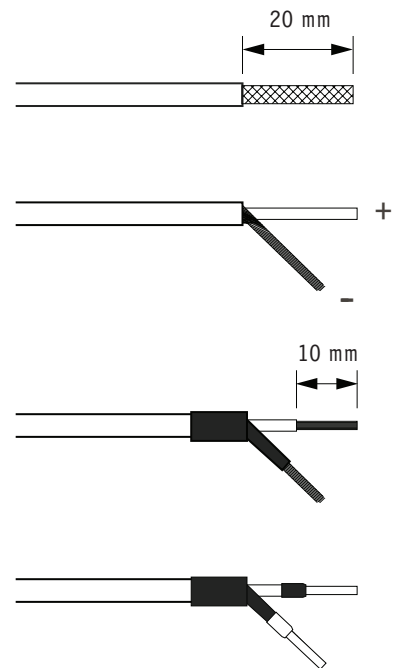
Once this is done, you can remove the packaging. Make sure that you only handle the lamp with clean gloves.



Now connect each cable to the control gear. It is important that you observe the „+/-“ marking. [J]

Ensure that the cables are parallel and as short as possible. Group the cables together in the cable clamps.

Now place the cables in the canopy. Store the cables in the cable clamps. Make sure that the bundles are not too thick or that the cable loops are not hanging down. This would prevent the canopy cover from closing properly.



If the cables are too long to place them in the canopy, you can shorten them.

Following this assemble the lamp cables according to the drawing. [K]

Remove approximately 20 mm of the outer sheath. Please be careful! The coaxial braid must not be damaged.

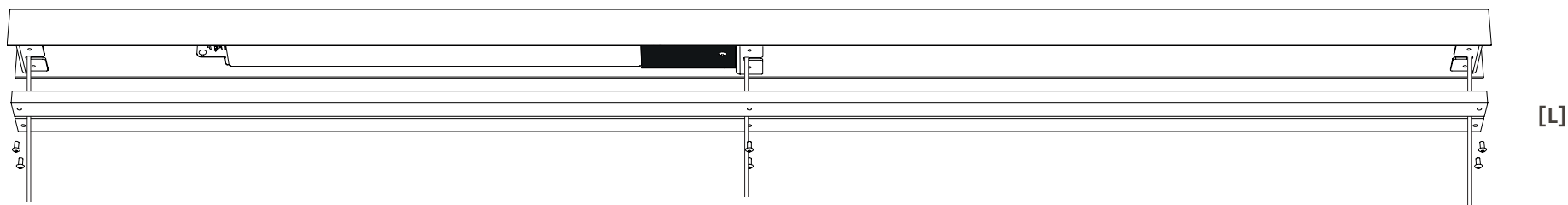
Then twist the coaxial braid into a conductor (-).

Provide this with a piece of shrink tubing. Then a larger one over the place where the two conductors share.

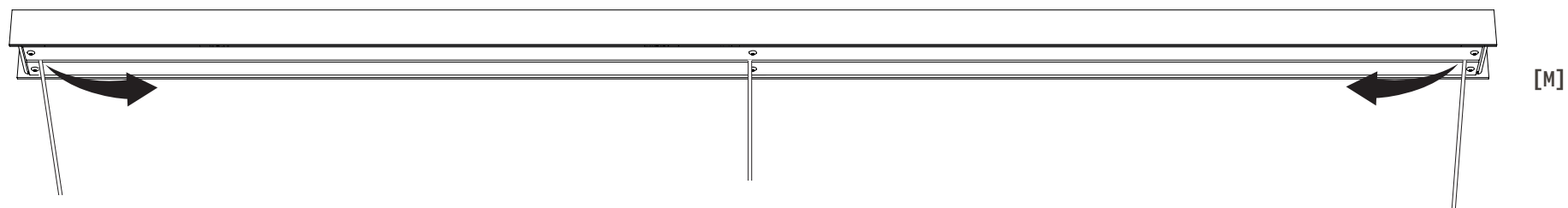
Insulate both conductors by approx. 10 mm.

Finally squeeze the conductors with one ferrule each.

[K]



Close the canopy with the canopy covers previously placed aside. [L]



If some cables are not vertical, you can now lift them out of their suspension point and move them along the resulting rail. [M]

If you want to open the canopy again, please push the adjusting rings back into the suspension points first!
A second person should secure the luminaire against falling down.

Wear clean gloves.

Lichtlauf GmbH

Sonnentaustraße 12
80995 München

T +49(0)89.30905274-0
F +49(0)89.30905274-9

info@lichtlauf.de
www.lichtlauf.de